

High Purity Fluoropolymer Fittings

Hyper Fitting / Flare Type

Series *LQ3* Fitting Procedure

■ Insertion Tool ■

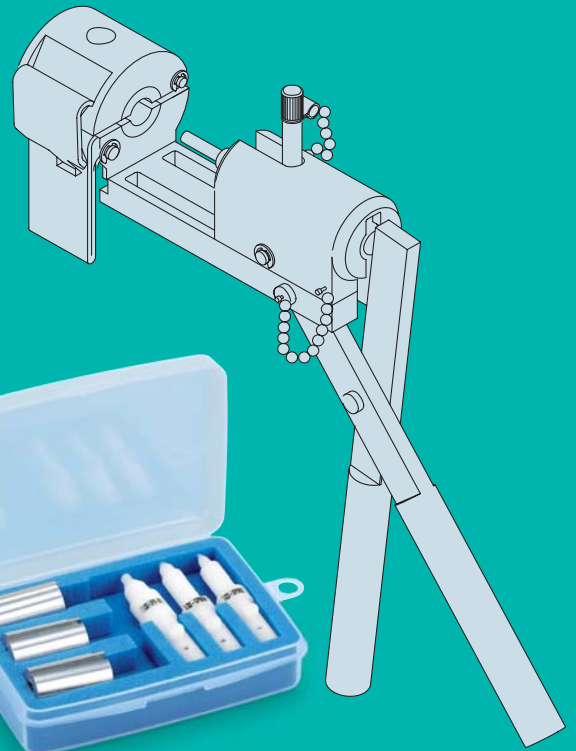
Fitting size For **2 to 6** (P.1 to P.3)



Parts case

Contents:
Insert pins
Insert pin jig

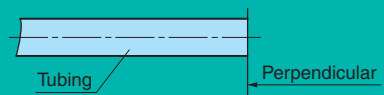
Fitting size For **1, 2** (P.4, P.5)



Preparation

⚠ Caution: Tubing

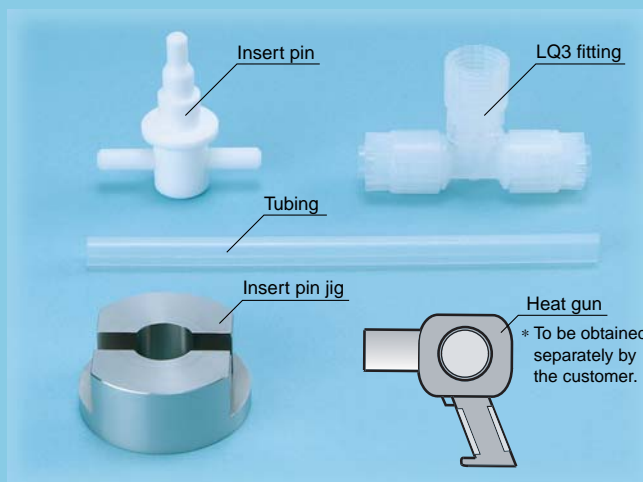
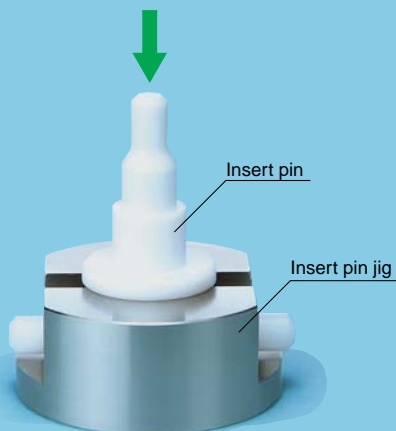
1. Wipe the tubing with alcohol to prevent slippage.
2. Cut the tubing perpendicularly with a commercially available dedicated tool.



Note) An obliquely cut surface may cause insert bushing breakage, etc.

Heat gun procedure

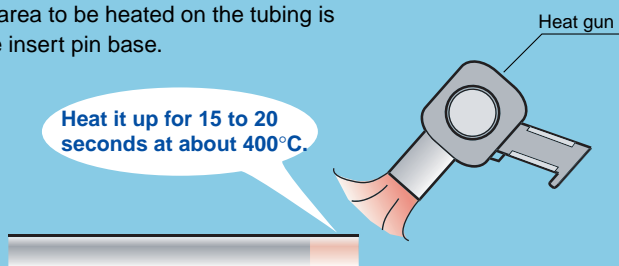
1 Position an insert pin in the insert pin jig.



Be sure to work at a table when using the insert pin jig. This will stabilize the insert pin and make work easier.

2 Heat up the end of the tubing with a commercially available tool such as a heat gun.

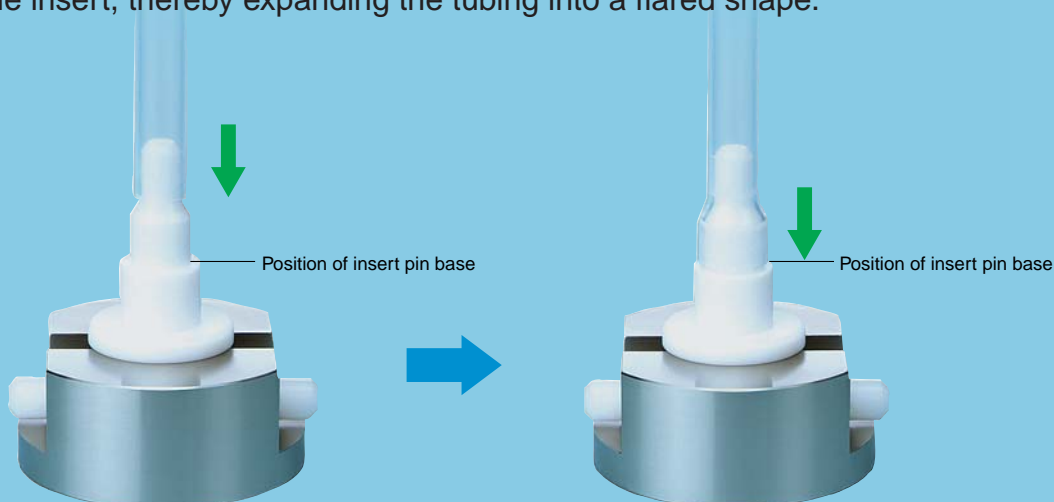
* As a guide, the area to be heated on the tubing is the length to the insert pin base.



⚠ Be careful not to burn yourself!

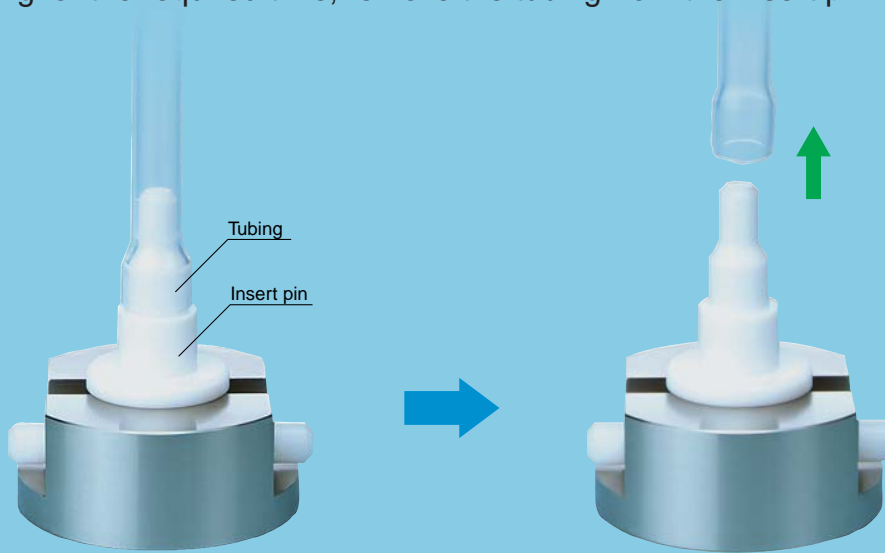
Do not touch heated areas (tubing, heat gun). Also, be careful not to touch the other side of the heated area since the temperature also increases there due to hot air.

3 After heating up the end of the tubing, immediately slide it over the insert pin up to the base of the insert, thereby expanding the tubing into a flared shape.

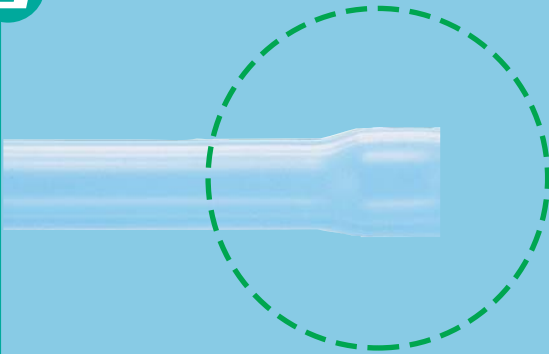


Note) Be sure to check the size of the insert pin.

- 4** The tubing must be held for about one minute while it sets in a flared shape. This time can be reduced by blowing cooling air onto the tube. After cooling for the required time, remove the tubing from the insert pin.



- 5** Check that the tubing has been expanded into a flared shape.



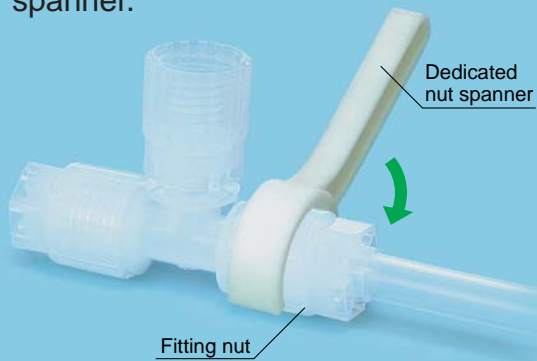
Note)
Tubing cooling time can be reduced by removing the insert pin from the simple jig and immersing tubing and insert pin in deionized water or similar.

Heat gun procedure

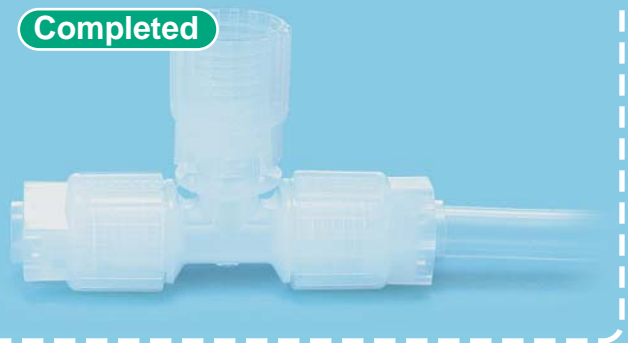
6 After flaring is complete, promptly attach the LQ3 fitting to the tubing.



7 Fasten the fitting nut to the body and tighten to the end surface using the dedicated nut spanner.



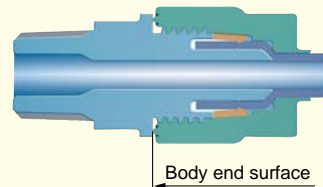
Completed



⚠ Caution

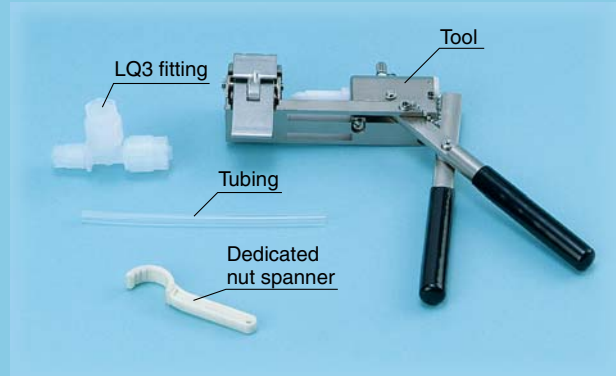
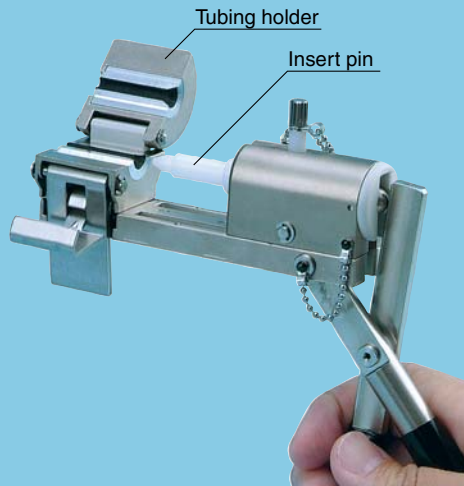
As a guide, tighten the nut by a further 1/8 turn in order to make sure that the nut is screwed on far enough to make contact with the body end surface. Refer to the proper tightening torque shown at right.

Body size	Torque (N•m)
2	1.6 to 1.8
3	3.2 to 3.5
4	5.0 to 5.3
5	10.0 to 10.5
6	22.5 to 23.0

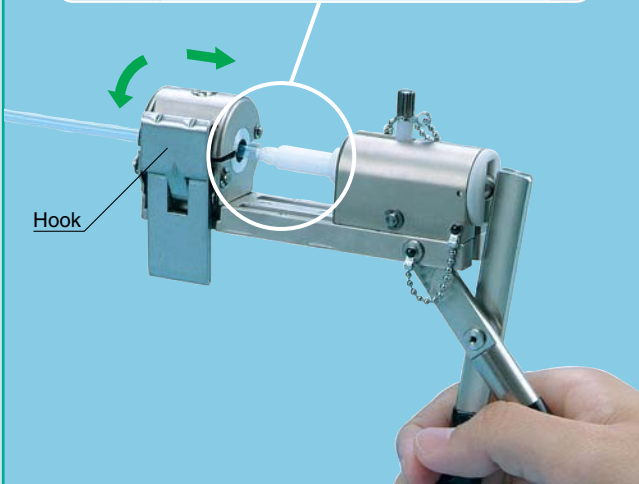
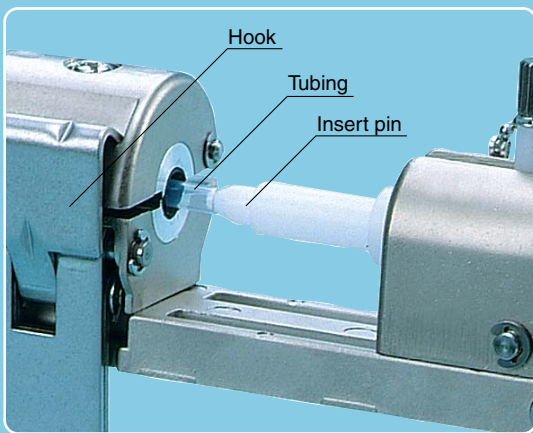


Lever type tool procedure

1 Position an insert pin and tubing holder suitable for the tubing size.



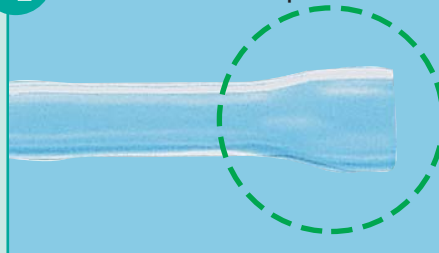
2 Place the tubing in the tubing holder, inserting it to the position where it makes contact with the insert pin, and clamp the holder with the hook.



3 Operate the lever, thereby expanding the tubing into a flared shape.

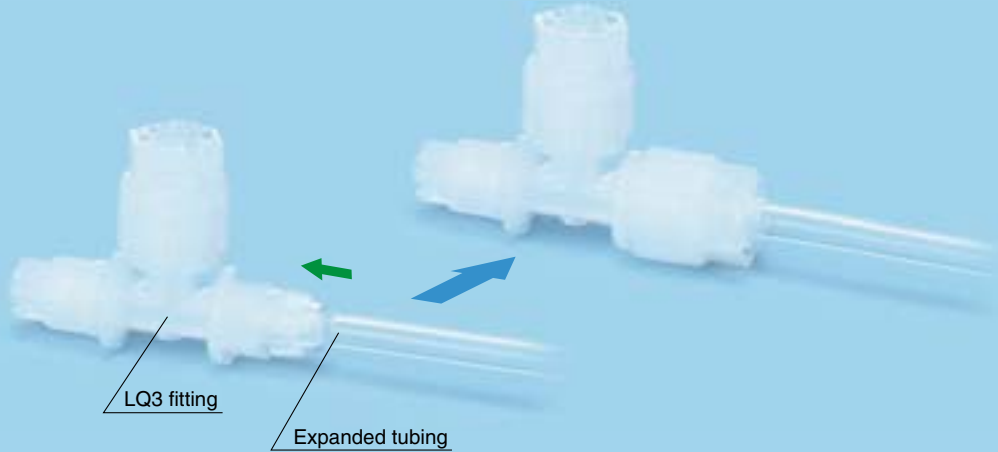


4 Check that the tubing has been expanded into a flared shape.

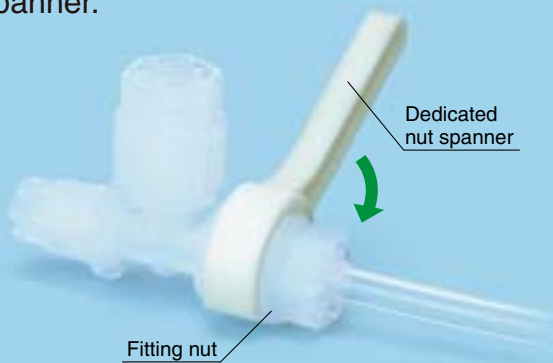


Lever type tool procedure

5 After flaring is finished, promptly attach the LQ3 fitting to the tubing.



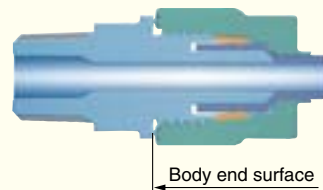
6 Fasten the fitting nut to the body and tighten to the end surface using the dedicated nut spanner.



⚠ Caution

As a guide, tighten the nut by a further 1/8 turn in order to make sure that the nut is screwed on far enough to make contact with the body end surface. Refer to the proper tightening torque shown at right.

Body size	Torque (N m)
1	0.7 to 0.9
2	1.6 to 1.8



How to Order Insertion Tools

Fitting size For 2 to 6

LQ3 – GPS –

• Pin type

Nil	Metric
N	Inch



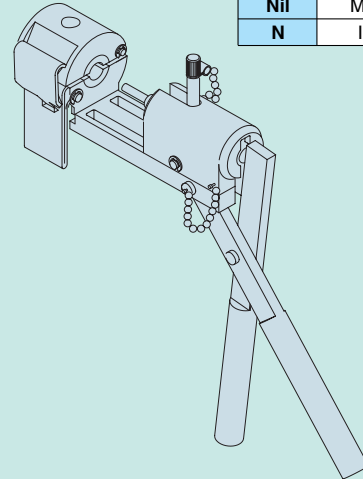
* The parts case is included.

Fitting size For 1, 2

LQ3 – GB –

• Pin type

Nil	Metric
N	Inch

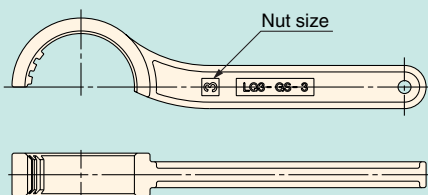


Dedicated Nut Spanner

LQ3 – GS –

• Nut size

Symbol	Size
1	1
2	2
3	3
4	4
5	5
6	6



Replacement Parts

Description	Part no.				
<ul style="list-style-type: none"> • GPS insert pin (single) 	LQ3 – GP – • Tubing size symbol (Refer to Table 1.)				
<ul style="list-style-type: none"> • GPS insert pin jig (single) 	AXT1075-30-2				
<ul style="list-style-type: none"> • GB insert pin • Holder assembly 	LQ3 – GPB – • Pin type <table border="1" style="border-collapse: collapse; text-align: center; margin-top: 5px;"> <tr> <td style="background-color: #008080; color: white;">Nil</td> <td>Metric size</td> </tr> <tr> <td style="background-color: #008080; color: white;">N</td> <td>Inch size</td> </tr> </table>	Nil	Metric size	N	Inch size
Nil	Metric size				
N	Inch size				
<ul style="list-style-type: none"> • GB insert pin (single) 	LQ3 – GPB – 03 • Tubing size symbol (Refer to Table 1.) 03 (ø3, 1/8"), 04 (ø4), 06 (ø6), 07(1/4") only				
<ul style="list-style-type: none"> • GB holder (single) 	LQ3 – GHB – 03 • Tubing size symbol (Refer to Table 1.) 03 (ø3, 1/8"), 04 (ø4), 06 (ø6), 07(1/4") only				

Table 1 Tubing Size Symbol

	Tubing O.D.													
	Metric size							Inch size						
	ø3	ø4	ø6	ø8	ø10	ø12	ø19	ø25	1/8"	1/4"	3/8"	1/2"	3/4"	1"
Symbol	03	04	06	08	10	12	19	25	03	07	11	13	19	25
Fitting type	GPS							GPS						
	GB			—				GB			—			

SMC Corporation

Akihabara UDX 15F,
4-14-1, Sotokanda, Chiyoda-ku, Tokyo 101-0021, JAPAN
Phone: 03-5207-8249 FAX: 03-5298-5362
URL <http://www.smcworld.com>
© 2006 SMC Corporation All Rights Reserved

Specifications are subject to change without prior notice
and any obligation on the part of the manufacturer.



D-DN

1st printing KX printing KX 120DN Printed in Japan.

This catalog is printed on recycled paper with concern for the global environment.