



Operation Manual

PRODUCT NAME

Membrane Air Dryer

MODEL / Series / Product Number

IDG30□A

IDG50□A

IDG60LA, IDG60SA

IDG75LA, IDG75SA

IDG100LA, IDG100SA

SMC Corporation

Contents

1	Safety Precautions	1-1
2	Installation and Operation	2-1
3	Maintenance and Checks	3-1
4	Reference Data	4-1



Membrane Air Dryer Safety Instructions

These safety instructions are intended to prevent hazardous situations and/or equipment damage. These instructions indicate the level of potential hazard with the labels of “Caution,” “Warning” or “Danger.” They are all important notes for safety and must be followed in addition to International Standards (ISO/IEC)*1), and other safety regulations.

*1) ISO 4414: Pneumatic fluid power -- General rules relating to systems
 ISO 4413: Hydraulic fluid power -- General rules relating to systems
 IEC 60204-1: Safety of machinery -- Electrical equipment of machines (Part 1: General requirements)
 ISO 10218-1: Manipulating industrial robots -Safety.
 etc.



Caution

Caution indicates a hazard with a low level of risk which, if not avoided, could result in minor or moderate injury.



Warning

Warning indicates a hazard with a medium level of risk which, if not avoided, could result in death or serious injury.



Danger

Danger indicates a hazard with a high level of risk which, if not avoided, will result in death or serious injury.

Warning

1. The compatibility of the product is the responsibility of the person who designs the equipment or decides its specifications.

Since the product specified here is used under various operating conditions, its compatibility with specific equipment must be decided by the person who designs the equipment or decides its specifications based on necessary analysis and test results.

The expected performance and safety assurance of the equipment will be the responsibility of the person who has determined its compatibility with the product.

This person should also continuously review all specifications of the product referring to its latest catalog information, with a view to giving due consideration to any possibility of equipment failure when configuring the equipment.

2. Only personnel with appropriate training should operate machinery and equipment.

The product specified here may become unsafe if handled incorrectly.

The assembly, operation and maintenance of machines or equipment including our products must be performed by an operator who is appropriately trained and experienced.

3. Do not service or attempt to remove product and machinery/equipment until safety is confirmed.

1. The inspection and maintenance of machinery/equipment should only be performed after measures to prevent falling or runaway of the driven objects have been confirmed.

2. When the product is to be removed, confirm that the safety measures as mentioned above are implemented and the power from any appropriate source is cut, and read and understand the specific product precautions of all relevant products carefully.

3. Before machinery/equipment is restarted, take measures to prevent unexpected operation and malfunction.

4. Contact SMC beforehand and take special consideration of safety measures if the product is to be used in any of the following conditions.

1. Conditions and environments outside of the given specifications, or use outdoors or in a place exposed to direct sunlight.

2. Installation on equipment in conjunction with atomic energy, railways, air navigation, space, shipping, vehicles, military, medical treatment, combustion and recreation, or equipment in contact with food and beverages, emergency stop circuits, clutch and brake circuits in press applications, safety equipment or other applications unsuitable for the standard specifications described in the product catalog.

3. An application which could have negative effects on people, property, or animals requiring special safety analysis.

4. Use in an interlock circuit, which requires the provision of double interlock for possible failure by using a mechanical protective function, and periodical checks to confirm proper operation.



Membrane Air Dryer Safety Instructions

Caution

1. The product is provided for use in manufacturing industries.

The product herein described is basically provided for peaceful use in manufacturing industries.

If considering using the product in other industries, consult SMC beforehand and exchange specifications or a contract if necessary.

If anything is unclear, contact your nearest sales branch.

Limited warranty and Disclaimer/Compliance Requirements

The product used is subject to the following “Limited warranty and Disclaimer” and “Compliance Requirements”.

Read and accept them before using the product.

Limited warranty and Disclaimer

1. The warranty period of the product is 1 year in service or 1.5 years after the product is delivered.*2)

Also, the product may have specified durability, running distance or replacement parts. Please consult your nearest sales branch.

2. For any failure or damage reported within the warranty period which is clearly our responsibility, a replacement product or necessary parts will be provided.

This limited warranty applies only to our product independently, and not to any other damage incurred due to the failure of the product.

3. Prior to using SMC products, please read and understand the warranty terms and disclaimers noted in the specified catalog for the particular products.

Compliance Requirements

1. The use of SMC products with production equipment for the manufacture of weapons of mass destruction (WMD) or any other weapon is strictly prohibited.

2. The exports of SMC products or technology from one country to another are governed by the relevant security laws and regulation of the countries involved in the transaction. Prior to the shipment of a SMC product to another country, assure that all local rules governing that export are known and followed.

2. Installation and Operation:

Design

⚠ Caution

a. Devise a layout which considers the position of the purge air discharge ports.

Purge air is humid air. Devise a layout in which the humid purge air will not cause corrosion or malfunction of peripheral equipment.

b. When very clean air is required

(Supplying clean air to air bearings, blowing of semiconductor parts, etc.)

Install a micro mist separator or Super Mist Separator on the outlet side of this equipment. Grease is applied inside of the Regulator used in the V type unit. When air with high purity is required, please either mount the Super Mist Separator on the outlet side or use a made-to-order product, which is provided with a Micro Mist Separator (Series AWD) instead of a Regulator.

c. Time to reach the rated dew point

A certain amount of time is required to achieve the rated dew point after the air begins flowing into the membrane air dryer. Use the times below as a guide, and begin operating the outlet side equipment after the rated dew point is achieved.

Standard dew point -20°C, -15°C : about 10 min.

Standard dew point -40°C : about 30 min.*

Standard dew point -60°C : about 60 min.*

* This time can be shortened as described below.

- 1) Provide a valve on the outlet side of the membrane air dryer.
- 2) Supply air with the valve closed so that only purge air flows through the membrane air dryer.
- 3) After 15 minutes or more, open the valve and let air flow to the outlet side equipment.

Selection

⚠ Caution

a. Consider the purge air flow rate in total flow rate requirements.

Find the purge air flow rate from the charts and calculate the "required outlet air flow rate + purge air flow rate". The air supply capacity must be at least equal to the calculated flow or the required outlet air flow rate cannot be obtained.

b. Use the proper size tubing for purge air discharge (Option : P)

The dehumidification capacity decreases in proportion to the length of the tubing for discharging purge air. Use tubing of the specified size and keep its length to 5 meters or less.

Mounting

⚠ Caution

a. Do not obstruct the purge air discharge ports.

Dehumidification performance will decrease or may become impossible if purge air back pressure becomes too high or purge air stops flowing..

b. Provide proper filtration on the inlet side of a membrane air dryer.

Performance will be reduced if the inlet air contains oil, water, or other contaminations that can clog the membrane pores. Install an AFM Mist Separator or an AMH Micro Mist Separator with Pre-filter on the inlet side of membrane dryer. Install an air filter or main line filter on the inlet side of the mist separator when there are large quantities of dust (solid foreign matter). An AFM Mist Separator and AFD Micro Mist Separator or an AMH Micro Mist Separator with Pre-filter are already installed on the M and V unit types.

c. Install a regulator on the outlet side of the membrane air dryer.

Dehumidification performance will be reduced if a regulator is installed on the inlet side of the membrane dryer.

d. Ensure that intermittent pressure is not applied to the product.

Do not frequently operate a solenoid valve on the inlet side. The membrane dryer can be damaged if inlet pressure is applied intermittently.

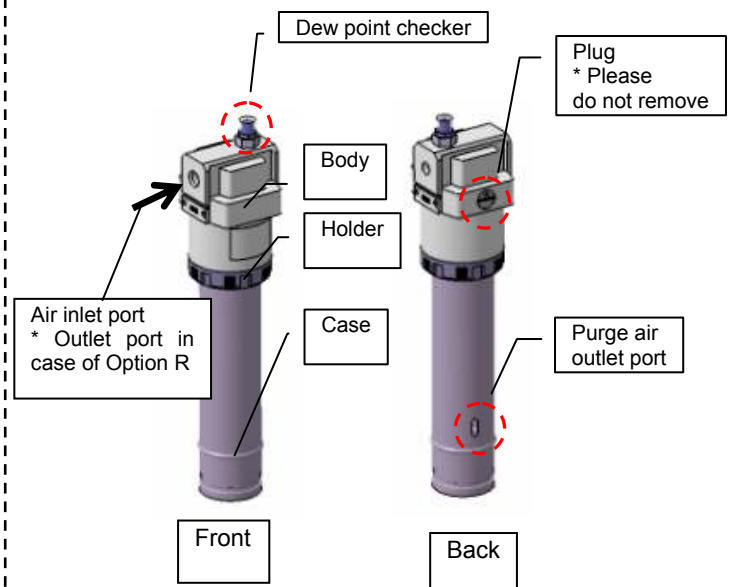


Fig 2.1 Names of parts

Piping

 **Warning**

a. Confirm locking of case and body

When using in a unit, be sure to set the air pressure to zero before using a Mist Separator or Micro Mist Separator with modular connections. Also, confirm that the body and case are locked together with a click before starting the flow of compressed air.

b. Confirm tightening of the holder.

Before starting the flow of compressed air, turn the Membrane air dryer's holder in its tightening direction, confirming that it is completely tightened and that the case will not come off.

c. Exhaust the purged air discharge (Option : P)

The piping of purge air for dehumidification and for the dew point checker can be combined, but do not combine it with compressed air lines or drain piping or merge the purge air with exhaust air from other equipment. Back-pressure through the purged air exhaust port can cause damage or poor performance..

 **Caution**

a. Use of tools

Hold the upper portion of the body (aluminum die-casted section) with a spanner or adjustable angle wrench. Do not turn it while holding the case section.

b. Drain piping for separators

Use a tube of the prescribed size and keep the length within 5 meters or less when installing drain piping for Mist Separators or Micro Mist Separators. Be sure that the tube does not rise up or become folded over.

c. Piping materials for low dew point air

Do not use nylon tube piping and resin fittings (except fluoropolymer) for the outlet side of the membrane air dryer if air of a low dew point (40°C or less) is required. Due to the nature of the nylon tube, it could be affected by the ambient air, and it might not be possible to achieve the prescribed low dew point at the end of the tube. For low dew point air, use stainless steel or fluoropolymer piping.

Air Supply

 **Caution**

a. Compressed air supply capacity


An air source that has a supply capacity that is larger than the “necessary outlet air flow rate (dry air flow rate) + purge air flow rate” is required. See the purge air flow rate diagram in the catalog for the purge air flow rate.

b. Avoid chemical substances which have an adverse effect on the product

The chemical substances stated in the table below can reduce the performance or damage the membrane element. Do not use the membrane dryer in an environment containing these chemicals substances.

Type	Harmful Substances
Solvent	Acetone, Benzene, Phenol, Toluene, Trichloroethylene, Xylene, Cresol, Thinner, Aniline, Chloroform, Ethyl Alcohol, Methyl Alcohol, Chlorobenzene, Trichloroethane, Ethylbenzene, Isopropyl Alcohol, Dioxane, Tetrahydrofuran, Methyl Chloride, Cyclohexanone, Carbon Tetrachloride, Methyl Ketone, Ethyl Ketone, etc.
Acid	Sulfuric Acid, Nitric Acid, Hydrochloric Acid, Acetic Acid, Lactic Acid, Chromic Acid, etc.
Gas	Chlorine, Sulfurous Acid, Hydrogen Sulfide, Bromine, Ozone, Ammonia, etc.
Oil	Hydraulic Fluid (Phosphoric Ester), Fuel Oil, Water Soluble Cutting Fluid (Alkaline), Kerosene, etc.
Strong Bases	Lithium hydroxide, Sodium hydroxide, Potassium hydroxide, Calcium hydroxide, etc.
Others	Anaerobic thread lockers

Operating Environment

 **Caution**

a. Do not use at temperatures (fluid or ambient temperatures) higher than the prescribed operating conditions.

Resin is used in the membrane module (element), and it can be damaged by operation at high temperatures. confirm that the fluid temperature does not exceed the membrane dryer's range of operating conditions during use, especially when installed immediately after a reciprocating type air compressor.

b. Keep the inlet air temperature lower than the ambient temperature.

Condensation and water drops may accumulate inside of the membrane dryer's body and reduce its dehumidification capacity if the membrane air dryer's body is cooled by the ambient air.

3. Maintenance and Checks



Caution

Ensure the product is not pressurized before maintenance.

Check Point

3-1. Checks for Air Filters

- Check that condensation is discharged normally from the filter separator on the inlet.
- Check that there are no cracks, scratches or other deterioration on the resin case.
- Clean resin case of any dirt with neutral detergent regularly, or if necessary replace with a new resin case.
- The replacement interval for the elements is when the pressure drop reaches 0.1 MPa, or after two years of operation, whichever comes first.

3-2. Checks for Membrane Air Dryer

a. Confirming the dehumidification function with the dew point indicator

Confirm normal performance of membrane air dryer by color of grains inside the dew point checker.

Condition	Color of Dew point checker
Default	White, Pink
Normal Operating	Blue
Bad condition	White, Pink, Brown, Black

- If humid air flowing in turns the color pink, and then if dry air enters, the color turns back to blue.
- It takes about 1 hour from the start of air flow for the dew point indicator color to change.

b. Membrane module (Element) replacement period

- Replace the membrane module (Element) when the color of the dew point indicator turns white or pink. As a guideline, unit should be replaced after 10 years of use (10 hours/day operation) approximately.
- Replace the element when the color of the dew point indicator turns white or pink, even if it is within the 10-year period.

c. Dew point indicator replacement period

In the dew point indicator an absorbent is used. This absorbent absorbs the gasified oil in the compressed air and/or the gaseous elements other than the air, and may then turn brown.

When absorbent turned brown, replace the dew point indicator.

Besides, in the event of replacing them periodically, carry out after two-year operation as a guideline.

Service Parts

Table 3-1. Membrane Module Set (Element) and Dew Point Checker set

Model	Name	Membrane module set	Dew point Checker set
IDG30A, 30HA, 30LA		IDG-EL30A	IDG-DP01
IDG50A, 50HA, 50LA		IDG-EL50A	
IDG60LA, 60SA		IDG-EL60LA	
IDG75LA, 75SA		IDG-EL75LA	
IDG100LA, 100SA		IDG-EL100LA	
IDG30A, 30HA, 30LA Option : P		IDG-EL30A	IDG-DP01-X001
IDG50A, 50HA, 50LA Option : P		IDG-EL50A	
IDG60LA, 60SA Option : P		IDG-EL60LA	
IDG75LA, 75SA Option : P		IDG-EL75LA	
IDG100LA, 100SA Option : P		IDG-EL100LA	

Table 3-2. Filter Element Assembly

Model	Name	Filter Element Assembly	
		AFM40	AFD40
IDG30A, 30HA, 30LA		AFM40P-060AS	AFD40P-060AS
IDG50A, 50HA, 50LA			
IDG60LA, 60SA			
IDG75LA, 75SA			
IDG100LA, 100SA			

4. Reference Data

4-1. Specifications

1) Single Unit Type

Model		Specifications					
		IDG30A	IDG50A	IDG30HA	IDG50HA	IDG30LA	IDG50LA
Range of operating conditions	Fluid	Compressed Air					
	Inlet air pressure MPa	0.3~1.0					
	Inlet air temperature °C *note 1	-5~50					
	Ambient temperature °C *note 1	-5~50					
Standard performance	Outlet air atmospheric pressure dew point °C	-20		-15		-40	
	Inlet air flow rate L/min(ANR) *note 2	360	586	329	550	93	135
Standard performance conditions	Outlet air flow rate L/min(ANR)	300	500	300	500	75	110
	Purge air flow rate L/min(ANR)	60	86	29	50	18	25
	Purge ratio %	17%	15%	9%	9%	19%	19%
	Inlet air pressure MPa	0.7					
	Inlet air temperature °C	25					
	Inlet air saturation temperature °C	25					
	Ambient temperature °C	25					
Dew point indicator purge air flow rate		1L/min (ANR) {In case of inlet air pressure 0.7 MPa}					
Port size (Nominal size B)		1/4 · 3/8					
Mass kg (With bracket)		0.78 (0.91)	0.81 (0.94)	0.78 (0.91)	0.81 (0.94)	0.78 (0.91)	0.8 (0.94)

Model		Specifications					
		IDG60LA	IDG75LA	IDG100LA	IDG60SA	IDG75SA	IDG100SA
Range of operating conditions	Fluid	Compressed Air					
	Inlet air pressure MPa	0.3~1.0					
	Inlet air temperature °C *note 1	-5~50					
	Ambient temperature °C *note 1	-5~50					
Standard performance	Outlet air atmospheric pressure dew point °C	-40			-60		
	Inlet air flow rate L/min(ANR) *note 2	224	308	400	75	140	230
Standard performance conditions	Outlet air flow rate L/min(ANR)	170	240	300	50	100	150
	Purge air flow rate L/min(ANR)	54	68	100	25	40	80
	Purge ratio %	24%	22%	25%	33%	29%	35%
	Inlet air pressure MPa	0.7					
	Inlet air temperature °C	25					
	Inlet air saturation temperature °C	25					
	Ambient temperature °C	25					
Dew point indicator purge air flow rate		1 L/min (ANR) {In case of inlet air pressure 0.7 Mpa}					
Port size (Nominal size B)		3/8 · 1/2					
Masst kg (With bracket)		1.56 (1.71)	1.69 (1.84)	1.82 (1.97)	1.56 (1.71)	1.69 (1.71)	1.82 (1.97)

* Note 1. When using the product in the temperature range between -5 and 5 deg. C, prevent water droplets from entering the inlet port. (No freezing of the fluid)

* Note 2. "ANR" indicates the flow rate converted to the value at 20 deg. C, under the atmospheric pressure and the state of relative humidity 65%.

2) Units type (Unit M, Unit V)

Model		Specifications					
		IDG30AM3	IDG50AM3	IDG30HAM3	IDG50HAM3	IDG30LAM3	IDG50LAM3
		IDG30AV3	IDG50AV3	IDG30HAV3	IDG50HAV3	IDG30LAV3	IDG50LAV3
Component equipment	Mist separator	AFM40					
	Micro mist separator	AFD40					
	Regulator (Type V only)	AR40					
	Modular Adapter (Spacer)	Y400(T)					
Range of operating conditions	Fluid	Compressed Air					
	Inlet air pressure MPa	0.3~1.0					
	Inlet air temperature °C *note1)	-5~50					
	Ambient temperature °C *note1)	-5~50					
Standard Performance	Outlet air atmospheric pressure dew point °C *note2)	-20		-15		-40	
	Standard Performance conditions	Inlet air flow rate L/min(ANR)	360	586	329	550	93
Outlet air flow rate L/min(ANR)		300	500	300	500	75	110
Purge air flow rate L/min(ANR)		60	86	29	50	18	25
Purge flow ratio %		17%	15%	9%	9%	19%	19%
Inlet air pressure MPa		0.7					
Inlet air temperature °C		25					
Inlet air saturation temperature °C		25					
Ambient temperature °C		25					
Dew point indicator purge air flow rate		1 L/min (ANR) {In the case of inlet air pressure 0.7 MPa}					
Regulator construction (about Type V)		Relief type					
Port size (Nominal size B)		1/4 · 3/8					
Mass kg (With auto-drain)	Type M	2.63 (2.73)	2.66 (2.76)	2.63 (2.73)	2.66 (2.76)	2.63 (2.73)	2.66 (2.76)
	Type V	3.34 (3.74)	3.77 (3.88)	3.34 (3.74)	3.77 (3.88)	3.34 (3.74)	3.77 (3.88)

Model		Specifications					
		IDG60LAM3	IDG75LAM3	IDG100LAM3	IDG60SAM3	IDG75SAM3	IDG100SAM3
		IDG60LAV3	IDG75LAV3	IDG100LAV3	IDG60SAV3	IDG75SAV3	IDG100SAV3
Component equipment	Mist separator	AFM40					
	Micro mist separator	AFD40					
	Regulator (Type V only)	AR40					
	Modular Adapter (Spacer)	Y400(T)					
Range of operating conditions	Fluid	Compressed Air					
	Inlet air pressure MPa	0.3~1.0					
	Inlet air temperature °C *note1)	-5~50					
	Ambient temperature °C *note1)	-5~50					
Standard Performance	Outlet air atmospheric pressure dew point °C *note2)	-40			-60		
	Standard Performance conditions	Inlet air flow rate L/min(ANR)	224	308	400	75	140
Outlet air flow rate L/min(ANR)		170	240	300	50	100	150
Purge air flow rate L/min(ANR)		54	68	100	25	40	80
Purge flow ratio %		24%	22%	25%	33%	29%	35%
Inlet air pressure MPa		0.7					
Inlet air temperature °C		25					
Inlet air saturation temperature °C		25					
Ambient temperature °C		25					
Dew point indicator purge air flow rate		1 L/min (ANR) {In the case of inlet air pressure 0.7MPa}					
Regulator construction (about Type V)		Relief type					
Port size (Nominal size B)		3/8 · 1/2					
Mass kg (With auto-drain)	Type M	3.05 (3.15)	3.18 (3.28)	3.31 (3.41)	3.05 (3.15)	3.18 (3.28)	3.31 (3.41)
	Type V	4.16 (4.26)	4.29 (4.39)	4.42 (4.52)	4.16 (4.26)	4.29 (4.39)	4.42 (4.52)

* Note 1. When using the product in the temperature range between -5 and 5 deg. C, prevent water droplets from entering the inlet port. (No freezing of the fluid)

* Note 2. "ANR" indicates the flow rate converted to the value at 20 deg. C, under the atmospheric pressure and the state of relative humidity 65%.

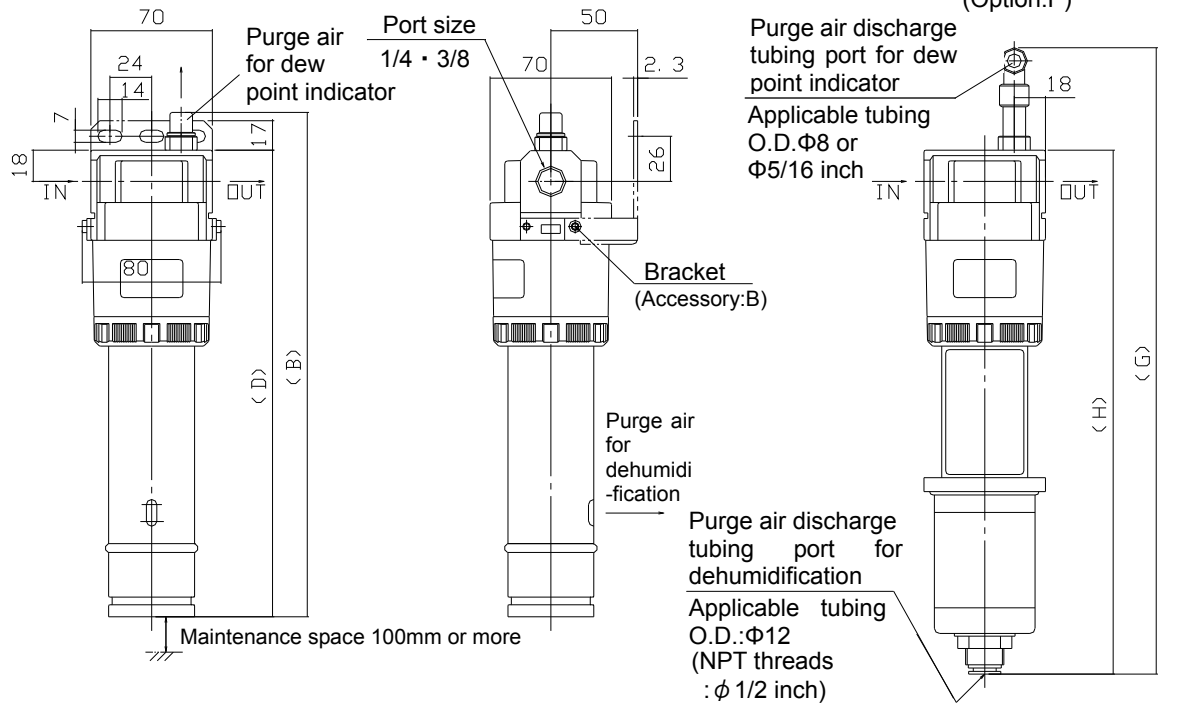
4-2. Dimensions

1) Single Unit

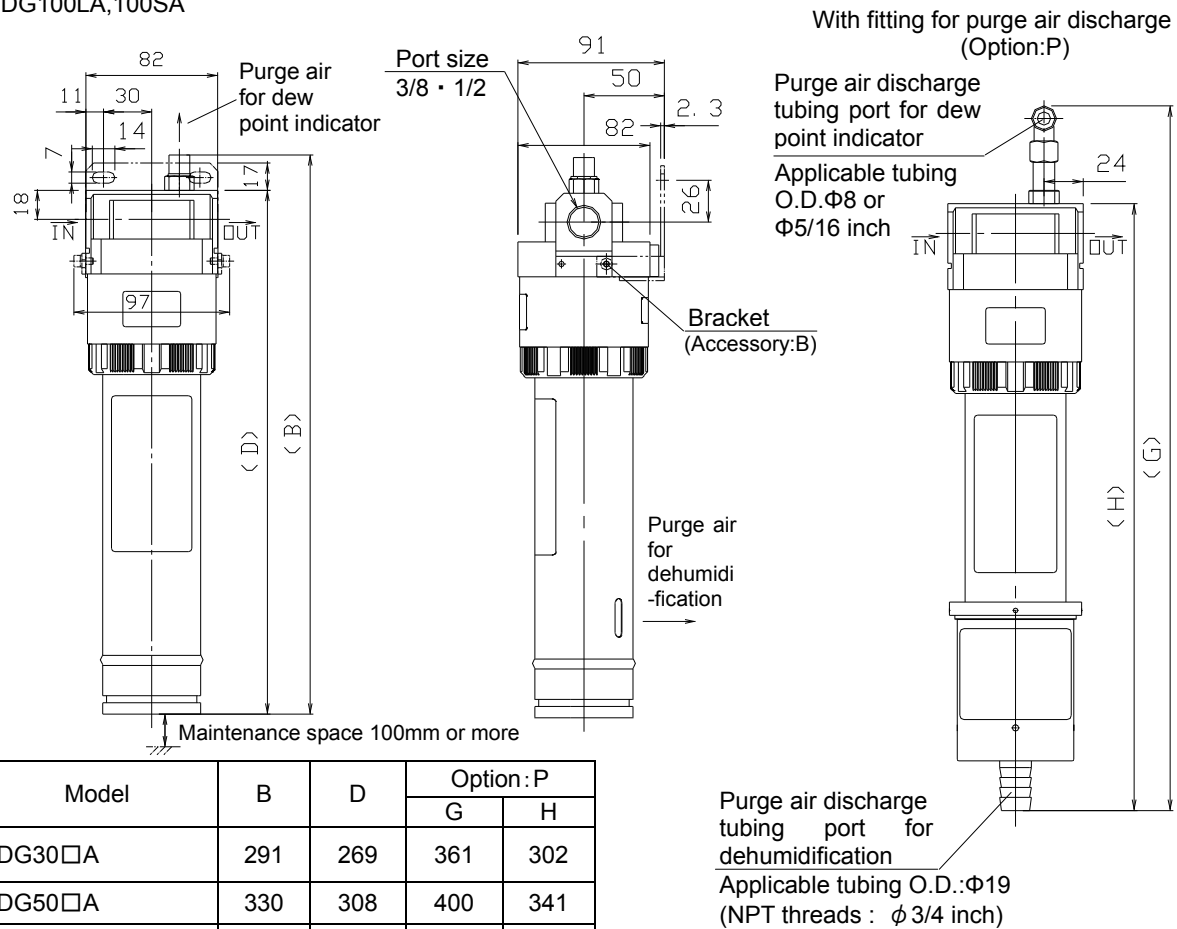
Unit : mm

IDG30□A

IDG50□A



IDG60LA,60SA
IDG75LA,75SA
IDG100LA,100SA



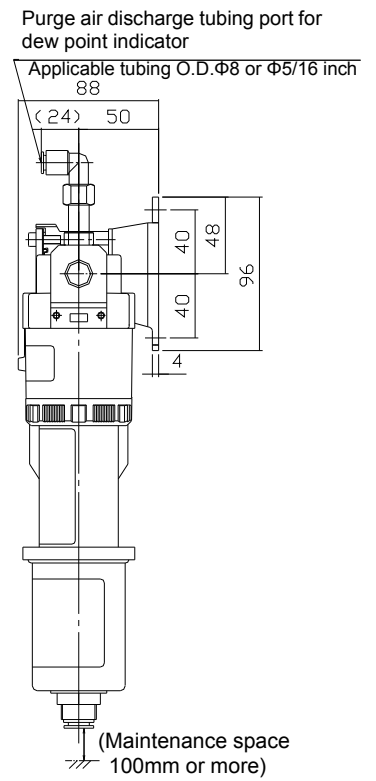
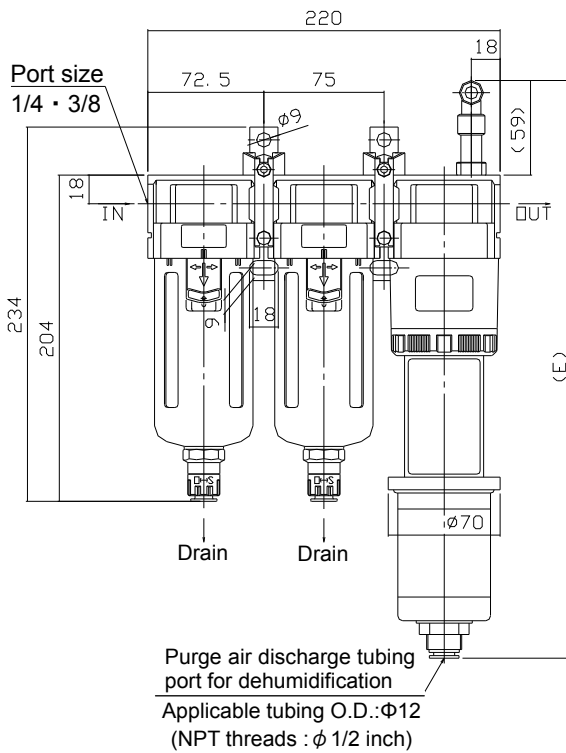
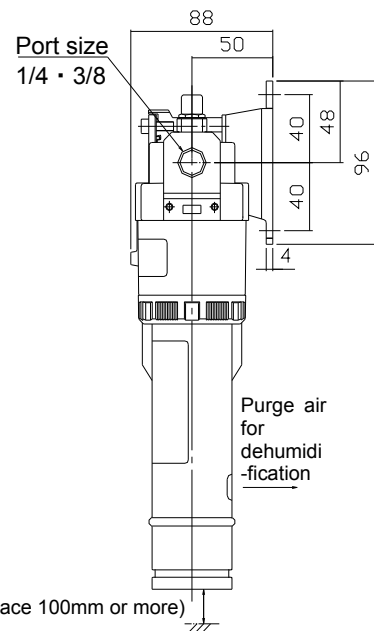
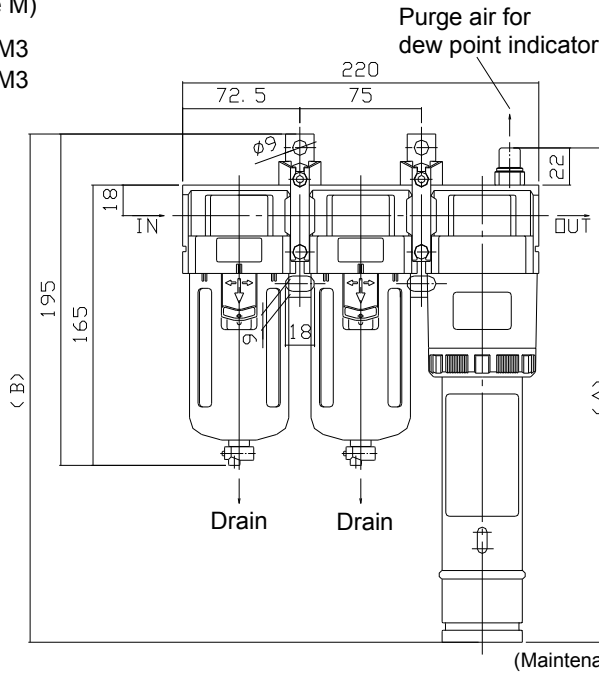
Model	B	D	Option : P	
			G	H
IDG30□A	291	269	361	302
IDG50□A	330	308	400	341
IDG60LA,60SA	348	326	426	367
IDG75LA,75SA	418	396	495	436
IDG100LA,100SA	483	461	560	501

4 Reference Data

Unit : mm

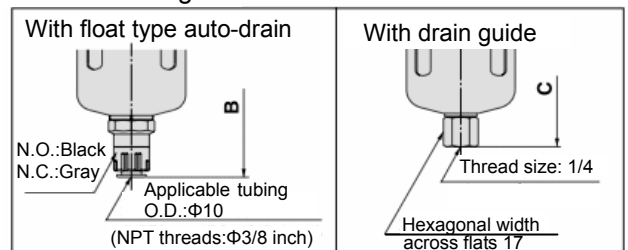
2) Units (Type M)

IDG30□AM3
IDG50□AM3



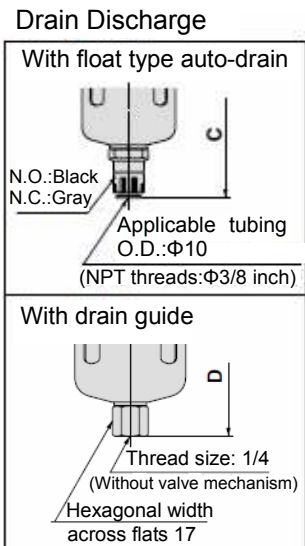
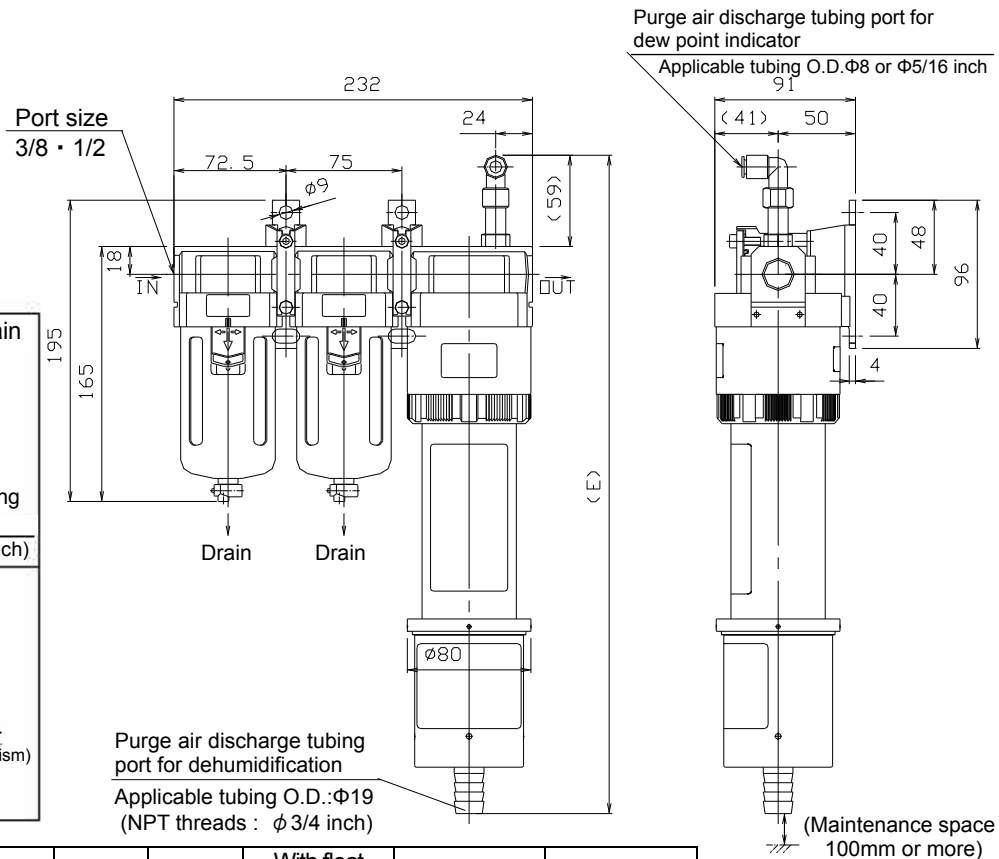
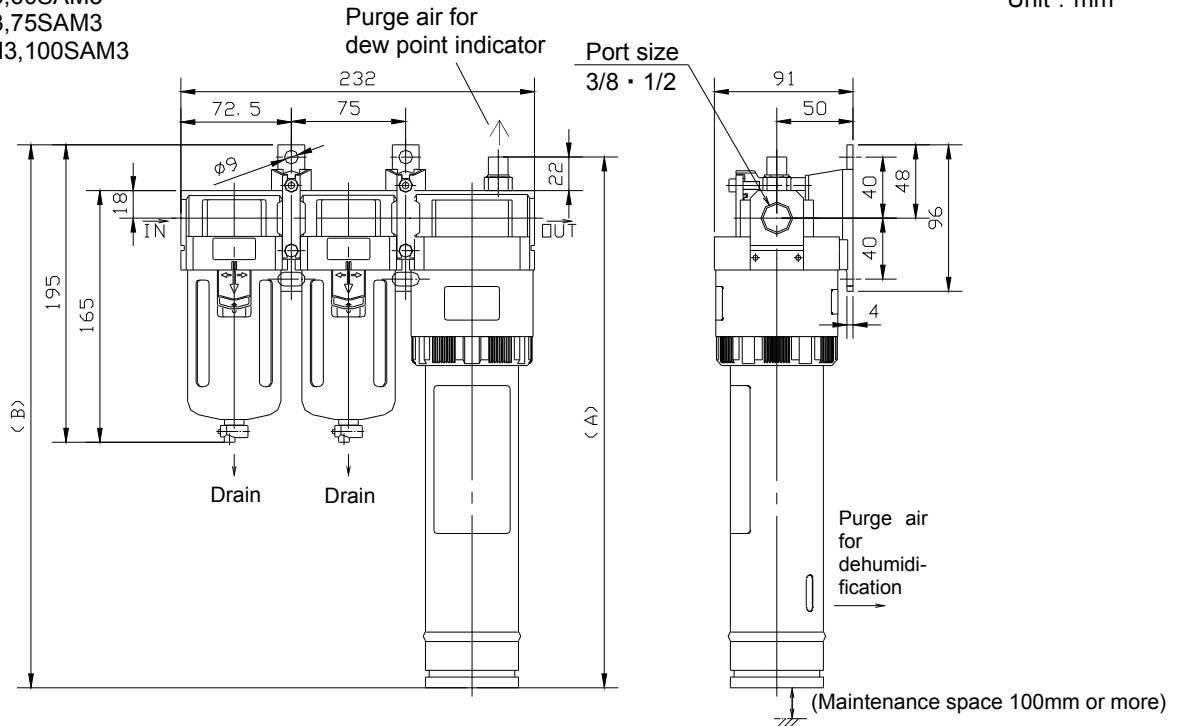
Model	A	B	With float type auto-drain	With drain guide	Option : P
			C	D	E
IDG30□AM3	291	299	204	172	361
IDG50□AM3	330	338			400

Drain Discharge



Unit : mm

IDG60LAM3,60SAM3
IDG75LAM3,75SAM3
IDG100LAM3,100SAM3



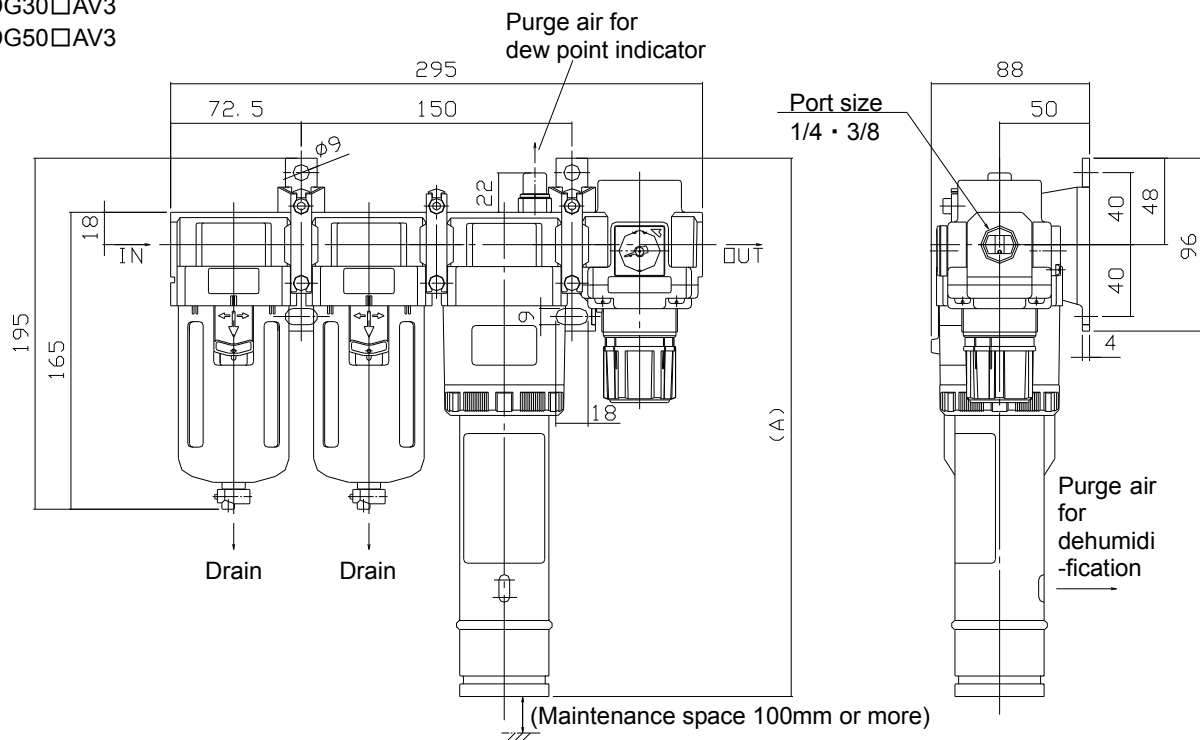
Model	A	B	With float type auto-drain	With drain guide	Option :P
			C	D	E
IDG60LAM3, 60SAM3	348	356	204	172	426
IDG75LAM3,75SAM3	418	426			495
IDG100LAM3,100SAM3	483	491			560

4 Reference Data

Unit : mm

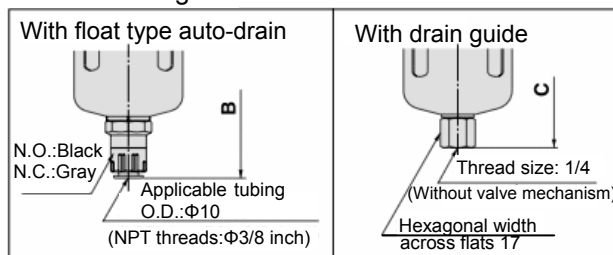
3) Units (Type V)

IDG30□AV3
IDG50□AV3



Model	A	With float type auto-drain	With drain guide
		B	C
IDG30□AV3	299	204	172
IDG50□AV3	338		

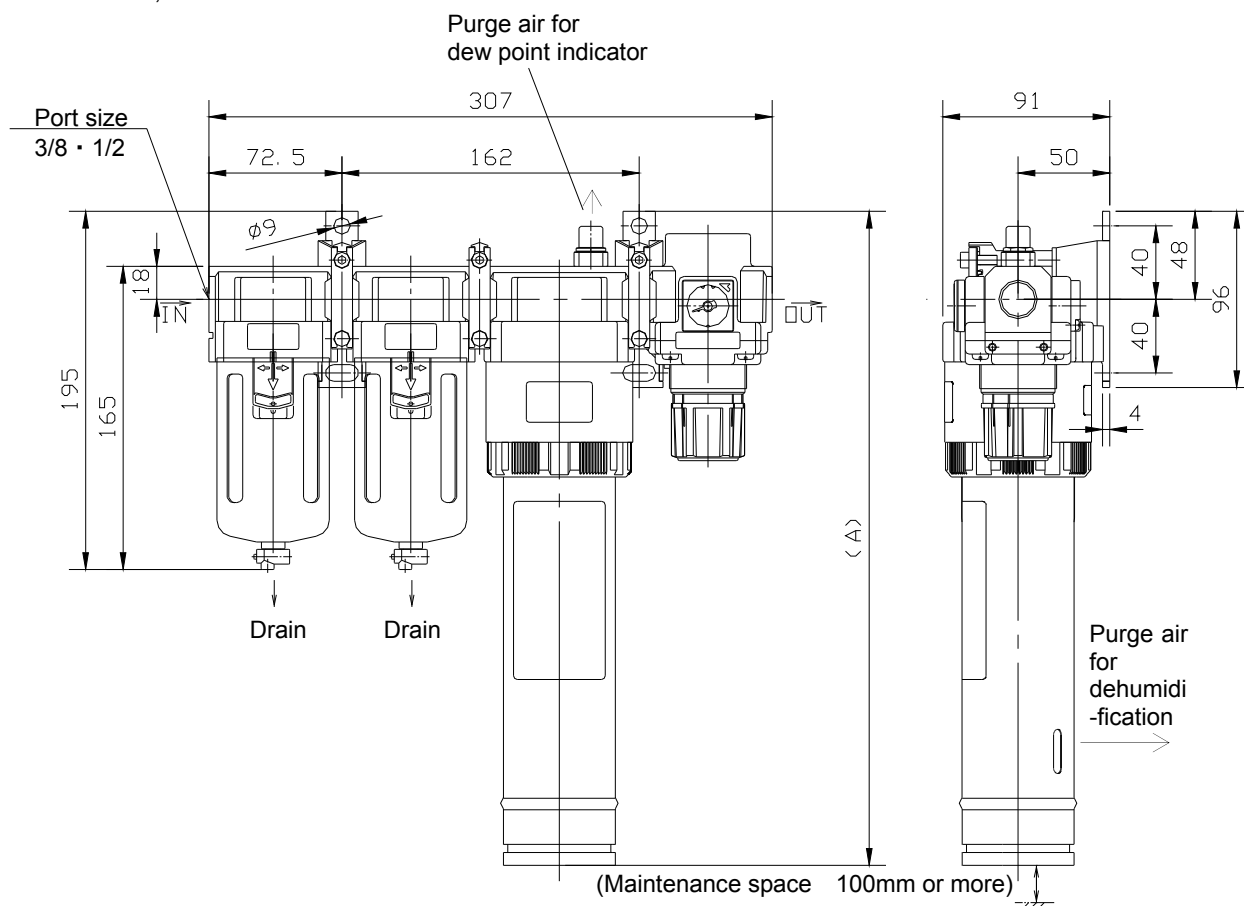
Drain Discharge



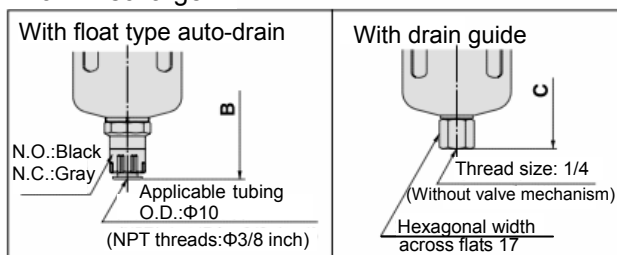
4 Reference Data

Unit : mm

IDG60LAV3, 60SAV3
 IDG75LAV3, 75SAV3
 IDG100LAV3, 100SAV3



Drain Discharge



Model	A	With float type auto-drain	With drain guide
		B	C
IDG60LAV3, 60SAV3	356	204	172
IDG75LAV3, 75SAV3	426		
IDG100LAV3, 100SAV3	491		

Revision history

Rev.A: April, 2012

Product number addition
(IDG60*A, IDG75*A, IDG100*A series)

SMC Corporation

4-14-1, Sotokanda, Chiyoda-ku, Tokyo 101-0021 JAPAN

Tel: + 81 3 5207 8249 Fax: +81 3 5298 5362

URL <http://www.smcworld.com>

Note: Specifications are subject to change without prior notice and any obligation on the part of the manufacturer.
© 2011 SMC Corporation All Rights Reserved